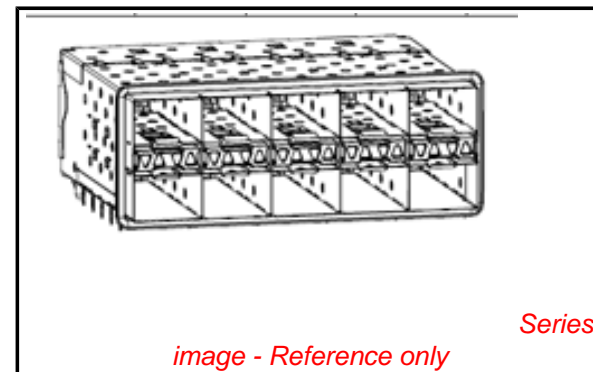


PLEASE CHECK WWW.MOLEX.COM FOR LATEST PART INFORMATION

Part Number: [0760935001](#)
Status: **Active**
Overview: [sfp_stacked_multiport_connectors](#)
Description: Small Form-factor Pluggable Plus (SFP+) Stacked 2-by-5 Multi-Port Connector with 4 Lightpipe Ports, Elastomeric Gasket, 200 Circuits, Tin (Sn) Tails

Documents:

| | |
|---|--|
| 3D Model | Test Summary (PDF) |
| Application Specification (PDF) | Product Specification PS-75310-001 (PDF) |
| Drawing (PDF) | RoHS Certificate of Compliance (PDF) |



Agency Certification

| | |
|-----|---------|
| CSA | LR19980 |
| UL | E29179 |

General

| | |
|----------------|--|
| Product Family | I/O Connectors |
| Series | 76093 |
| Application | Module-to-Board |
| Component Type | Receptacle |
| Overview | sfp_stacked_multiport_connectors |
| Product Name | SFP Plus |
| Type | N/A |

Physical

| | |
|--------------------------------|---|
| Boot Color | N/A |
| Circuits (Loaded) | 200 |
| Circuits (maximum) | 200 |
| Circuits Detail | 200 |
| Color - Resin | Black, Clear (Blue Tint) |
| Durability (mating cycles max) | 100 |
| Flammability | 94V-0 |
| Gender | Female |
| Keying to Mating Part | None |
| Lock to Mating Part | Yes |
| Material - Metal | High Performance Alloy (HPA) |
| Material - Plating Mating | Gold |
| Material - Plating Termination | Tin |
| Material - Resin | High Temperature Thermoplastic, Polycarbonate |
| Number of Rows | 2 |
| Orientation | Right Angle |
| PC Tail Length (in) | 0.081 In |
| PC Tail Length (mm) | 2.07 mm |
| PCB Locator | Yes |
| PCB Retention | Yes |
| PCB Thickness Recommended (in) | 0.062 In |
| PCB Thickness Recommended (mm) | 1.57 mm |
| Packaging Type | Tray |
| Panel Mount | No |
| Pitch - Mating Interface (in) | 0.031 In |
| Pitch - Mating Interface (mm) | 0.80 mm |
| Pitch - Term. Interface (in) | 0.031 In |
| Pitch - Term. Interface (mm) | 0.80 mm |
| Plating min: Mating (µin) | 30.4 |
| Plating min: Mating (µm) | 0.76 |
| Plating min: Termination (µin) | 30.4 |

EU RoHS

ELV and RoHS Compliant

REACH SVHC

Not Reviewed

Halogen-Free

Status

Not Reviewed

Need more information on product environmental compliance?

Email productcompliance@molex.com
 For a multiple part number RoHS Certificate of Compliance, [click here](#)

Please visit the [Contact Us](#) section for any non-product compliance questions.

China RoHS



Search Parts in this Series

[76093Series](#)

Use With

[0759510999 SFP Dust Plug,](#)

Application Tooling | FAQ

Tooling specifications and manuals are found by selecting the products below. Crimp Height Specifications are then contained in the Application Tooling Specification document.

Global

| Description | Product # |
|--|----------------------------|
| SFP Stacked Multi-Port Insertion Tool, 2 by 5 | 0622029980 |
| SFP Stacked Multi-Port Extraction Tool, 2 by 5 | 0622029990 |

| | |
|--------------------------------|------------------------------|
| Plating min: Termination (µm) | 0.76 |
| Polarized to Mating Part | Yes |
| Polarized to PCB | Yes |
| Ports | 10 |
| Surface Mount Compatible (SMC) | No |
| Temperature Range - Operating | -40°C to +85°C |
| Termination Interface: Style | Through Hole - Compliant Pin |
| Waterproof / Dustproof | No |

Electrical

| | |
|-------------------------------|------------------|
| Current - Maximum per Contact | 0.5A |
| Grounding to Panel | None |
| Shield Type | EMI Gasket |
| Shielded | Yes |
| Voltage - Maximum | 120V AC (RMS)/DC |

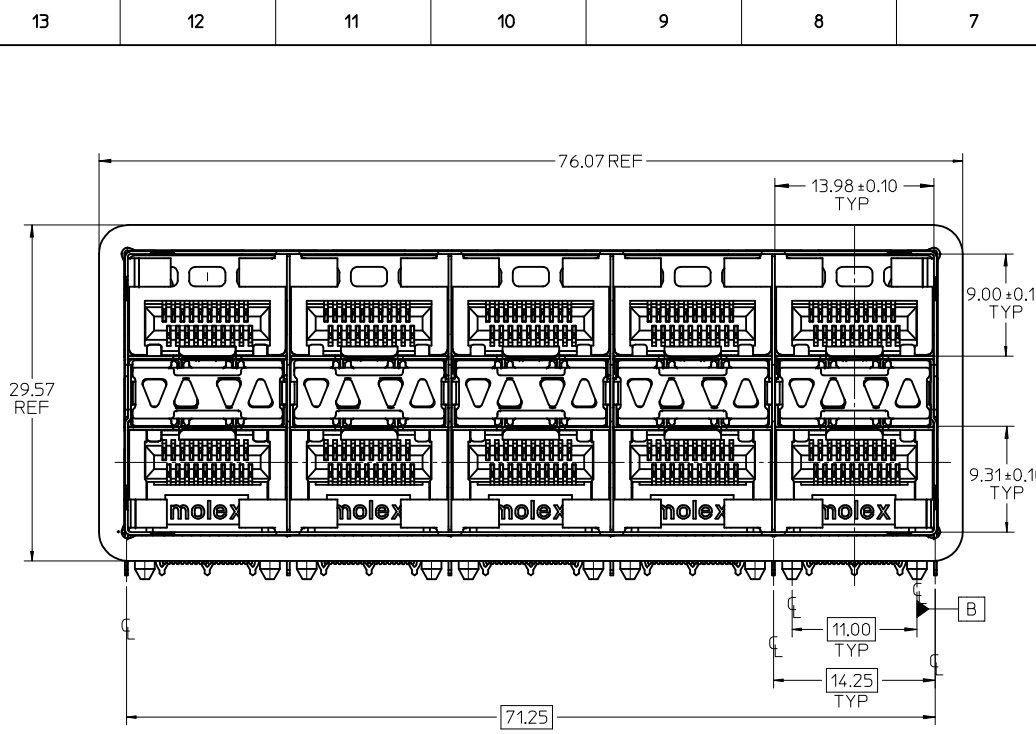
Material Info

Reference - Drawing Numbers

| | |
|-------------------------|--------------|
| Packaging Specification | PK-75733-001 |
| Product Specification | PS-75310-001 |
| Sales Drawing | SD-76093-001 |
| Test Summary | TS-75310-001 |

This document was generated on 05/27/2010

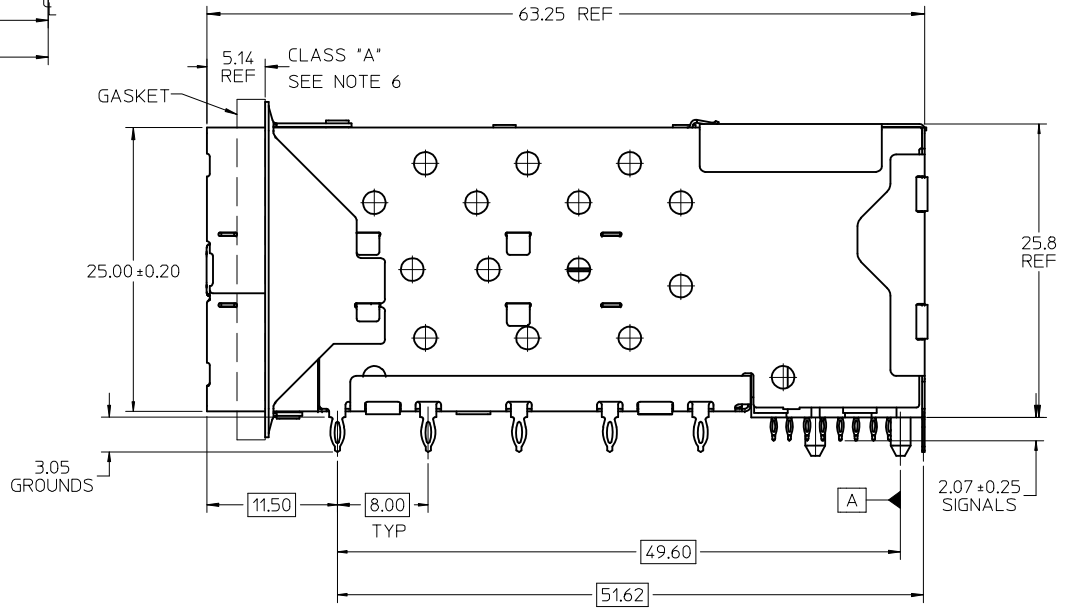
PLEASE CHECK WWW.MOLEX.COM FOR LATEST PART INFORMATION



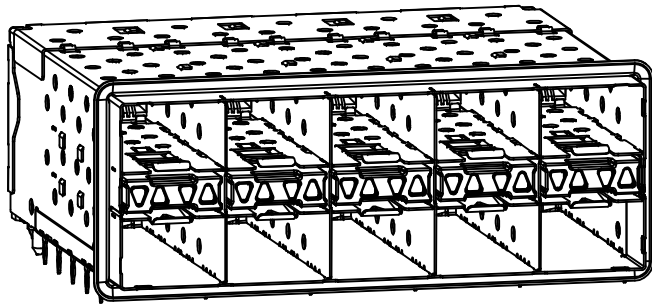
| PART NUMBER | DESCRIPTION | VIEW | COMPLIANT TAIL PLATING |
|-------------|---------------|----------|------------------------|
| 760930001 | 4 LIGHT PORTS | SEE PG 2 | TIN / LEAD |
| 760930002 | INNER 2 PORTS | SEE PG 2 | TIN / LEAD |
| 760930003 | OUTER 2 PORTS | SEE PG 2 | TIN / LEAD |
| 760935001 | 4 LIGHT PORTS | SEE PG 2 | TIN |
| 760935002 | INNER 2 PORTS | SEE PG 2 | TIN |
| 760935003 | OUTER 2 PORTS | SEE PG 2 | TIN |

NOTES:

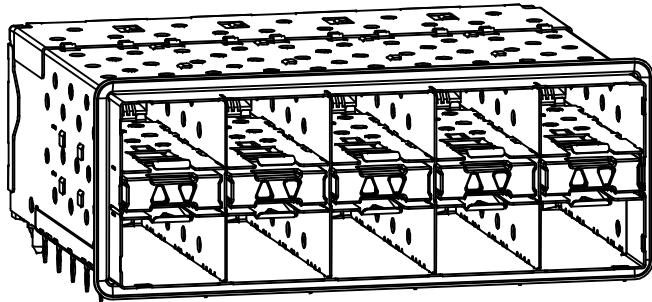
- MATERIAL:
 - CAGE: NICKEL SILVER, THICKNESS: 0.25mm
 - GASKET FLANGE: STAINLESS STEEL
 - EMI GASKET: CONDUCTIVE POLYMER
 - CONNECTOR HOUSING: GLASS FILLED THERMOPLASTIC, UL: 94 V-0, COLOR: BLACK
 - OVERMOLD TERMINAL HOUSING: GLASS FILLED THERMOPLASTIC, UL 94 V-0, COLOR: BLACK
 - TERMINALS: BRASS
 - LIGHT PIPES: POLYCARBONATE, UL 94 V-0, COLOR: CLEAR
 - LIGHT PIPE HOUSING: ZINC
- FINISH
 - TERMINALS: CONTACT AREA: 0.76 MICRONS MIN. HARD GOLD OVER 1.27 MICRONS MIN. NICKEL.
 - COMPLIANT TAIL - TIN/LEAD OPTION: 0.76 - 1.52 MICRONS 90/10 TIN/LEAD OVER 0.76 - 1.52 MICRONS NICKEL
 - COMPLIANT TAIL - TIN OPTION: 0.76 - 1.52 MICRONS TIN OVER 0.76 - 1.52 MICRONS NICKEL
 - LIGHT PIPE HOUSING: 150 MICRONS NICKEL OVER 150 MICRONS COPPER
- REFER TO PS-75310-001 PRODUCT SPEC FOR ALL ELECTRICAL, MECHANICAL AND ENVIRONMENTAL SPECIFICATIONS.
- LIGHT PIPE PAD LAYOUT IS FOR 0805 LOW-PROFILE LED PACKAGE, FOR OTHER RECOMMENDED LAYOUTS REFER TO MOLEX'S REPORT TS-75310-001
- REFER TO PK-75733-001 FOR ALL PACKAGING SPECIFICATIONS.
- ALL EXTERIOR SURFACES TO BE CLASS 'B' SURFACES EXCEPT THE UNDER SIDE OF THE CAGE WHERE THE PCB WOULD BE LOCATED AND AS NOTED. THE SURFACES TO CONFORM TO THE MOLEX COSMETIC DOC PS-45499-002.



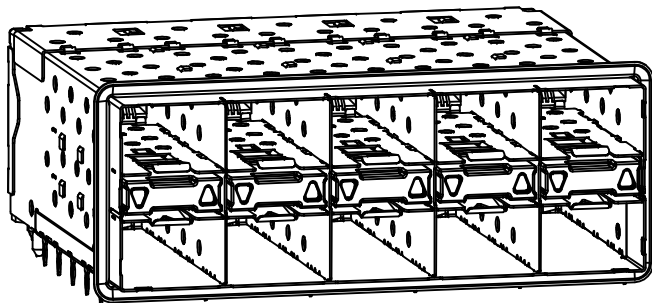
| | | | | | | | | |
|--|-------------------------------|---|-------------------------|-----------------------------------|---|-------------------------------------|----------------------------|--|
| ADD KEEP OUT ZONES EC NO: UCP2009-1356 DRWN:MSIBARRA 2009/08/04 CHKD:BBARKER 2009/08/06 APPR:SMILLER 2009/08/06 | QUALITY SYMBOLS ▽=0 ▽=0 | GENERAL TOLERANCES (UNLESS SPECIFIED) | | DIMENSION STYLE MM ONLY | SCALE 3:1 | DESIGN UNITS METRIC | THIRD ANGLE PROJECTION | |
| | | mm INCH | DRAWN BY JLONG | DATE 01-18-2007 | TITLE STACKED SFP+ 2X5 ASS'Y WITH ELASTOMERIC GASKET AND LIGHTPIPES | | | |
| | | 4 PLACES ± --- ± --- 3 PLACES ± --- ± --- 2 PLACES ± 0.13 ± --- 1 PLACE ± 0.25 ± --- | CHECKED BY MSANDBERG | DATE 01-18-2007 | MOLEX INCORPORATED | | | |
| | | ANGULAR ± 5 ° | APPROVED BY RNELSON | DATE 01-18-2007 | MATERIAL NO. SEE TABLE | DOCUMENT NO. SD-76093-001 | SHEET NO. 1 OF 4 | |
| DRAFT WHERE APPLICABLE MUST REMAIN WITHIN DIMENSIONS | | THIS DRAWING CONTAINS INFORMATION THAT IS PROPRIETARY TO MOLEX INCORPORATED AND SHOULD NOT BE USED WITHOUT WRITTEN PERMISSION | | | | | | |



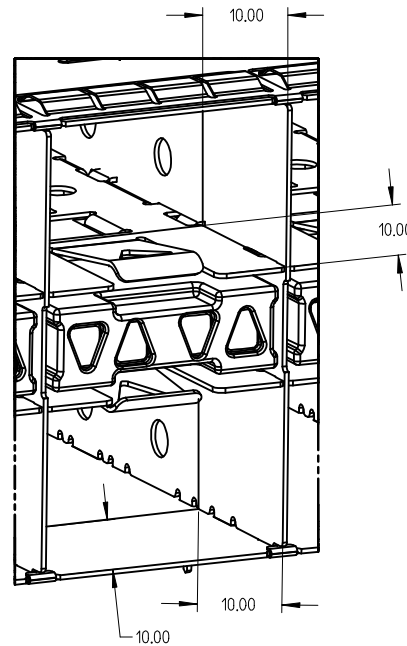
760930001 AND 760935001
WITH INNER AND OUTER LIGHT PIPES



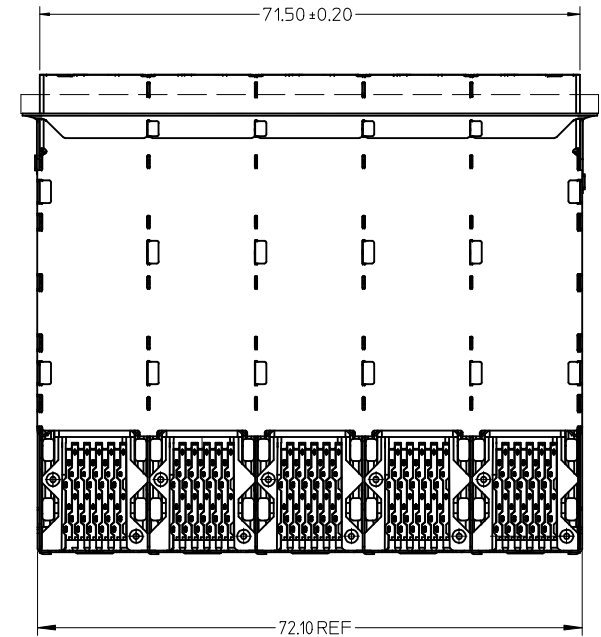
760930002 AND 760935002
WITH INNER LIGHT PIPES



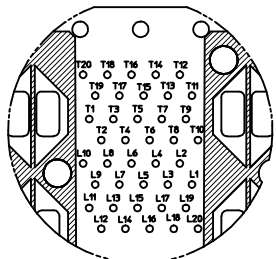
760930003 AND 760935003
WITH OUTER LIGHT PIPES



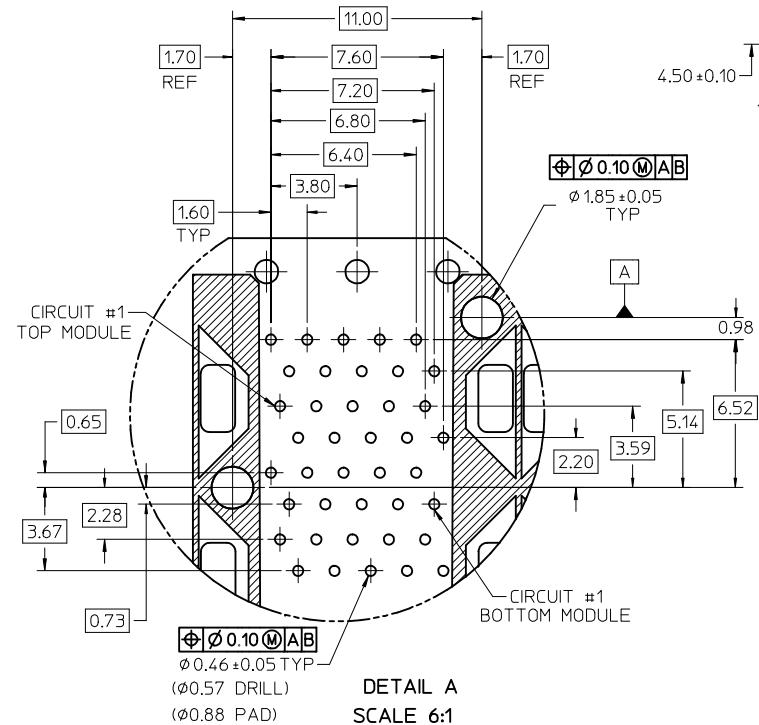
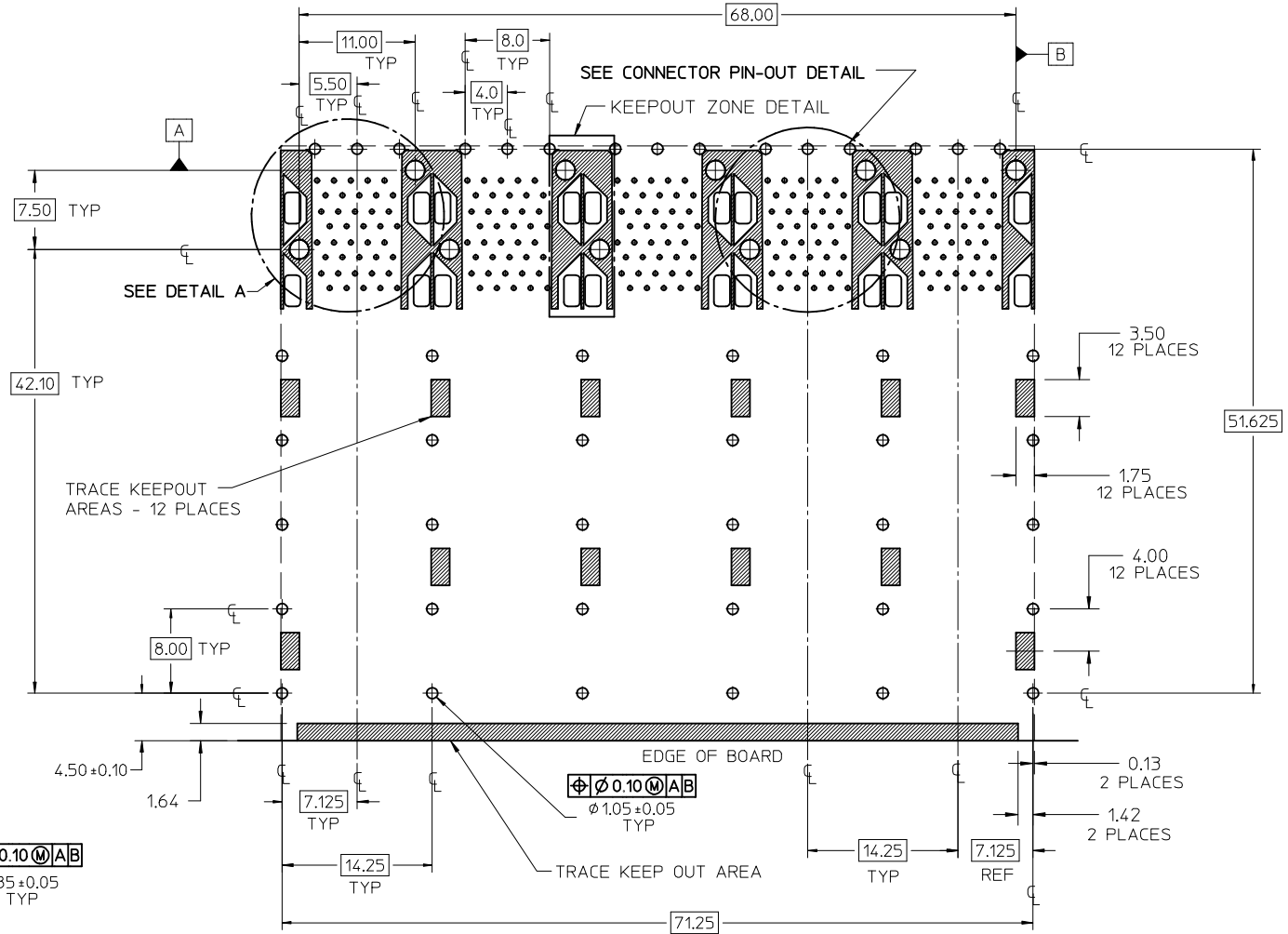
10.00mm AREA SETBACK IN CAGE IS TO BE FREE OF ANY HOLES, DIMPLES, SEAMS OR ANY OTHER FEATURE.
(4 SIDES PER MODULE PORT)



| SEE SHEET 1 EC NO: UCP2009-1356 DRW:MS BARRA 2009/08/04 CHKD:BBARKER 2009/08/06 APPR:SMILLER 2009/08/06 | QUALITY SYMBOLS ▽=0 ▽=0 | GENERAL TOLERANCES (UNLESS SPECIFIED) <table border="1"> <thead> <tr> <th></th> <th>mm</th> <th>INCH</th> </tr> </thead> <tbody> <tr> <td>4 PLACES</td> <td>± 0.13</td> <td>± 0.005</td> </tr> <tr> <td>3 PLACES</td> <td>± 0.25</td> <td>± 0.010</td> </tr> <tr> <td>2 PLACES</td> <td>± 0.38</td> <td>± 0.015</td> </tr> <tr> <td>1 PLACE</td> <td>± 0.51</td> <td>± 0.020</td> </tr> </tbody> </table> | | mm | INCH | 4 PLACES | ± 0.13 | ± 0.005 | 3 PLACES | ± 0.25 | ± 0.010 | 2 PLACES | ± 0.38 | ± 0.015 | 1 PLACE | ± 0.51 | ± 0.020 | DIMENSION STYLE MM ONLY DRAWN BY DATE JLONG 01-18-2007 CHECKED BY DATE MSANDBERG 01-18-2007 APPROVED BY DATE RNELSON 01-18-2007 | SCALE 2:1 DESIGN UNITS METRIC THIRD ANGLE PROJECTION | TITLE STACKED SFP+ 2X5 ASS'Y WITH ELASTOMERIC GASKET AND LIGHTPIPES |
|---|---|--|------|----|------|----------|--------|---------|----------|--------|---------|----------|--------|---------|---------|--------|---------|---|--|---|
| | | mm | INCH | | | | | | | | | | | | | | | | | |
| 4 PLACES | ± 0.13 | ± 0.005 | | | | | | | | | | | | | | | | | | |
| 3 PLACES | ± 0.25 | ± 0.010 | | | | | | | | | | | | | | | | | | |
| 2 PLACES | ± 0.38 | ± 0.015 | | | | | | | | | | | | | | | | | | |
| 1 PLACE | ± 0.51 | ± 0.020 | | | | | | | | | | | | | | | | | | |
| MATERIAL NO. SEE TABLE DRAFT WHERE APPLICABLE MUST REMAIN WITHIN DIMENSIONS SIZE C | MOLEX INCORPORATED DOCUMENT NO. SD-76093-001 SHEET NO. 2 OF 4 | THIS DRAWING CONTAINS INFORMATION THAT IS PROPRIETARY TO MOLEX INCORPORATED AND SHOULD NOT BE USED WITHOUT WRITTEN PERMISSION | | | | | | | | | | | | | | | | | | |



CONNECTOR PIN-OUT DETAIL
SCALE 4:1

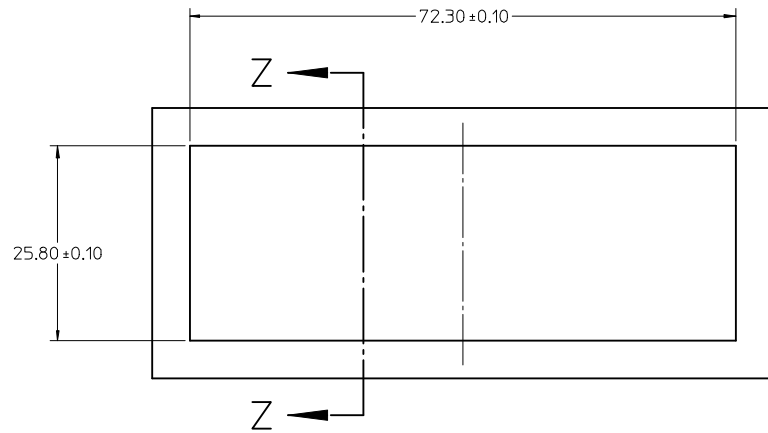


DETAIL A
SCALE 6:1

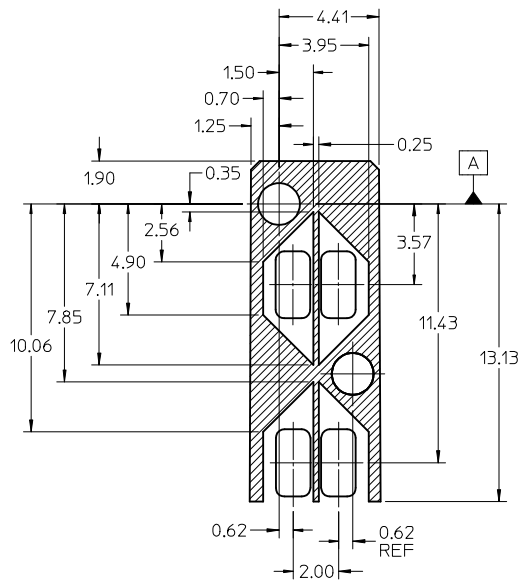
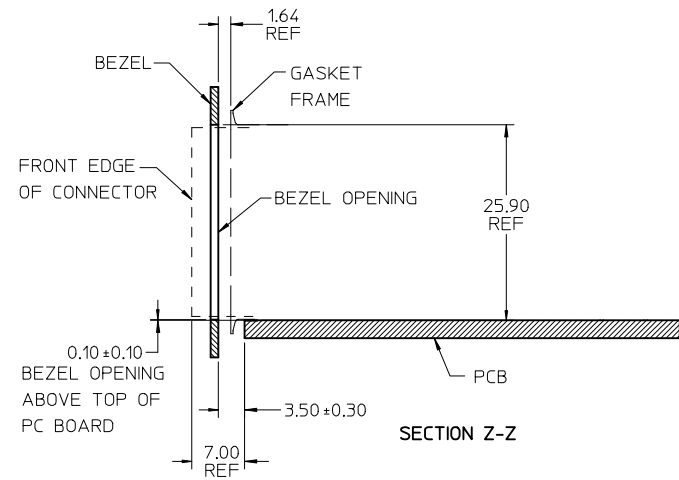
RECOMMENDED PCB LAYOUT - COMPONENT SIDE
RECOMMENDED PCB THICKNESS - 2.36 MM (.093 INCH)

THE ENTIRE AREA OF THE CONNECTOR FOOTPRINT
TO BE CONSIDERED THE KEEP OUT AREA FOR COMPONENTS
THIS AREA IS INDICATED BY THE DASHED LINE

| | | | | | | |
|---|--------------------------|---|---|---|--------------|------------------------|
| ADD KEEP OUT ZONES EC NO: UCP2009-1356 DRWN:MS BARRA 2009/08/04 CHKD:HBARKER 2009/08/06 APPR:SMILLER 2009/08/06 REV DESCRIPTION | QUALITY SYMBOLS | GENERAL TOLERANCES (UNLESS SPECIFIED) | DIMENSION STYLE | SCALE | DESIGN UNITS | THIRD ANGLE PROJECTION |
| | $\nabla=0$ $\nabla=0$ | mm INCH | MM ONLY | 3:1 | METRIC | |
| | | 4 PLACES \pm --- \pm --- 3 PLACES \pm --- \pm --- 2 PLACES \pm 0.13 \pm --- 1 PLACE \pm 0.25 \pm --- ANGULAR \pm 5° | DRAWN BY DATE JLONG 01-18-2007 CHECKED BY DATE MSANDBERG 01-18-2007 APPROVED BY DATE RNELSON 01-18-2007 | TITLE | | |
| | | DRAFT WHERE APPLICABLE MUST REMAIN WITHIN DIMENSIONS | SEE TABLE | STACKED SFP+ 2X5 ASS'Y WITH ELASTOMERIC GASKET AND LIGHTPIPES MOLEX INCORPORATED | | MATERIAL NO. |
| | | | THIS DRAWING CONTAINS INFORMATION THAT IS PROPRIETARY TO MOLEX INCORPORATED AND SHOULD NOT BE USED WITHOUT WRITTEN PERMISSION | | DOCUMENT NO. | |



BEZEL CUTOUT CENTER SPACING DETAIL
BEZEL THICKNESS 0.8-2.6



KEEPOUT ZONE DETAIL
SCALE 6:1

| | | | | | | | | | |
|--|-------------------------------|---------------------------------------|----------------------|--|--------------------|---|------------------------------|------------------------|--|
| SEE SHEET 1 EC NO: UCP2009-1356 DRAWN: IBARRA 2009/08/04 CHKD: BARKER 2009/08/06 APPR: MILLER 2009/08/06 | QUALITY SYMBOLS ▽=0 ▽=0 | GENERAL TOLERANCES (UNLESS SPECIFIED) | | DIMENSION STYLE MM ONLY | | SCALE 2:1 | DESIGN UNITS METRIC | THIRD ANGLE PROJECTION | |
| | | mm | INCH | DRAWN BY JLONG | DATE 01-18-2007 | TITLE STACKED SFP+ 2X5 ASS'Y WITH ELASTOMERIC GASKET AND LIGHTPIPES | MATERIAL NO. SD-76093-001 | | |
| D | DESCRIPTION | 4 PLACES ± --- ± --- | 3 PLACES ± --- ± --- | CHECKED BY MSANDBERG | DATE 01-18-2007 | MOLEX INCORPORATED DOCUMENT NO. SD-76093-001 SHEET NO. 4 OF 4 | | | |
| | | 2 PLACES ± 0.13 ± --- | 1 PLACE ± 0.25 ± --- | APPROVED BY RNELSON | DATE 01-18-2007 | | | | |
| | | ANGULAR ± 5 ° | | DRAFT WHERE APPLICABLE MUST REMAIN WITHIN DIMENSIONS | | THIS DRAWING CONTAINS INFORMATION THAT IS PROPRIETARY TO MOLEX INCORPORATED AND SHOULD NOT BE USED WITHOUT WRITTEN PERMISSION | | | |